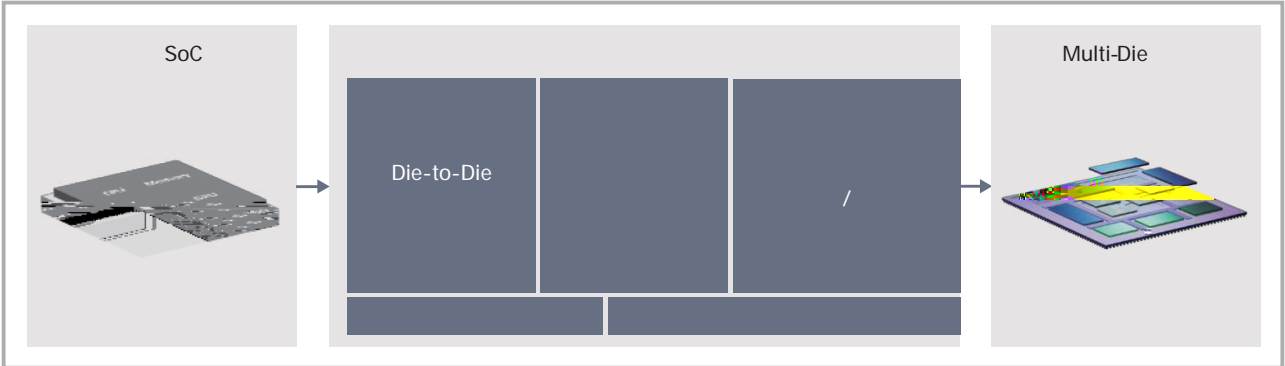


— —





4

Multi-Die



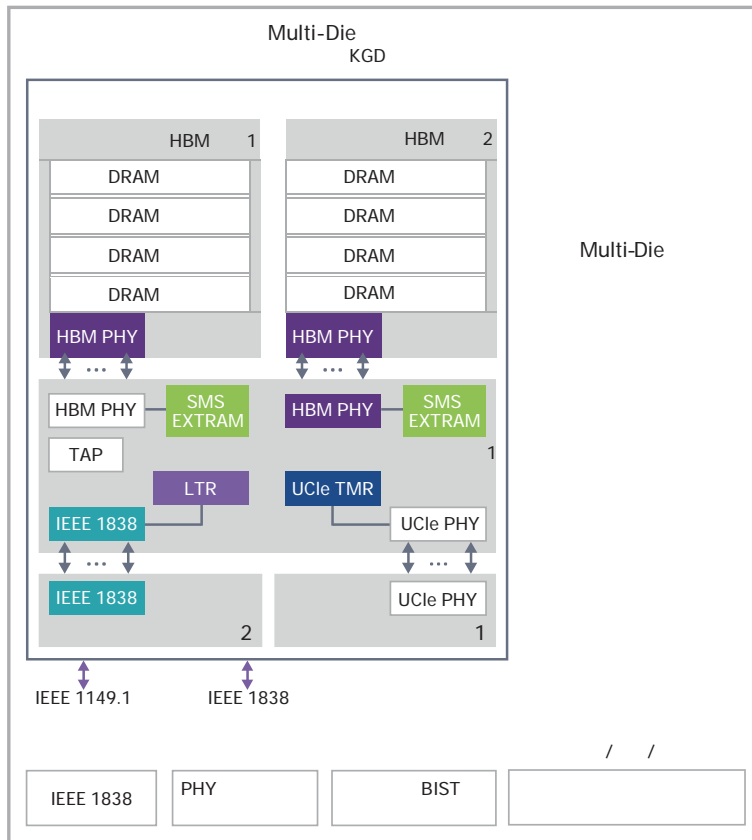


Multi-Die

/

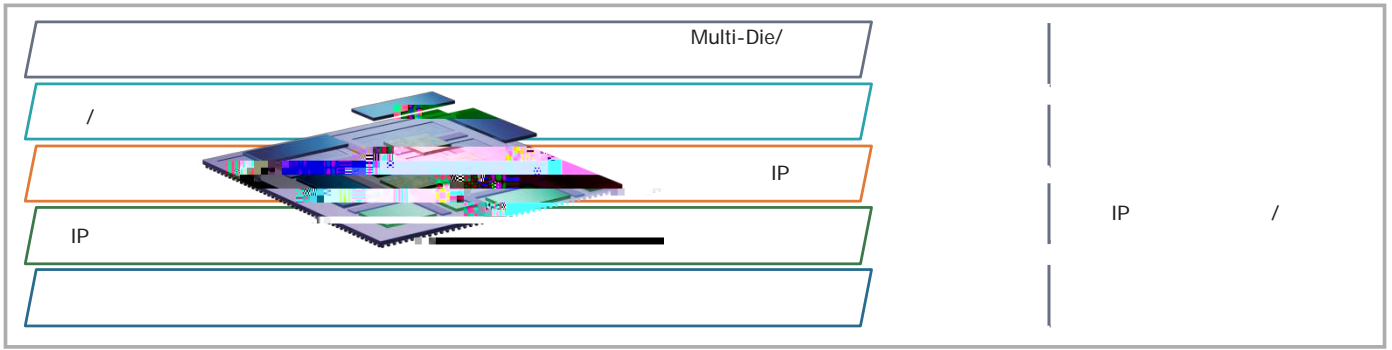








---



9

Multi-Die

---



---



---



---